

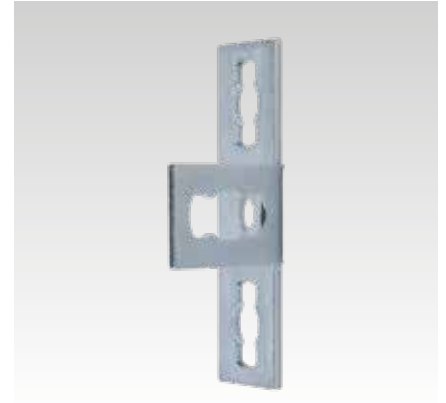
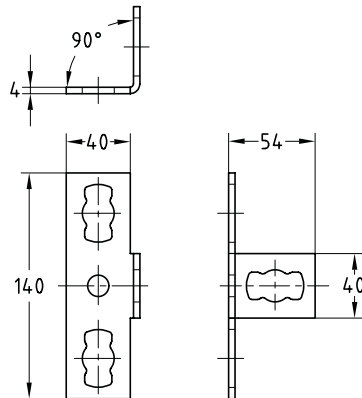
### MPR-Channel support bracket type S+ galvanised

#### Application

- For right-angled connection of two channels where section slots do not have the same alignment
- Can be used as a connecting element in three-dimensional spatial structures preferably with the MPR-Support channel 41/41
- For indoor use

#### Your advantages

- Fast and simple installation of joints in combination with the MPR-Connection lock type S+
- Flexible in connecting MPR-Support channels with, e.g. crossing support channels



#### Features



For profiles 41/21-41/124	Part no. 165826	Sales unit 25	Pack unit Pieces
------------------------------	--------------------	------------------	---------------------